

The ZoneMaster All-Mode Series is ideally suited for both medium to large service entrance panels and distribution panels. The all mode protection makes this unit ideal for installations away from the neutral to ground bond. The enhanced redundancy and surge current capacity make these units well suited for high lightning areas.

Applications include industrial, commercial, retail, government and telecommunications.



Features

- Enhanced redundancy built into each module
- Easy to read status indication
- Thermal and short circuit fusing
- All mode protection
- Low let-through performance with high current impulses
- 100k AIC short circuit current rating
- Replaceable bolt-in modules
- Large block MOV technology
- 15 year product warranty



Optional Features

- High performance UL 1283 EMI/RFI filter
- Remote monitoring unit

Specifications

Maximum continuous operating voltage

120V – 150Vac
277V – 320Vac

Lines protected

ZoneMaster All-Mode 200

L-N 100kA, L-G 100kA, L-L 200kA,
N-G 200kA

ZoneMaster All-Mode 240

L-N 120kA, L-G 120kA, L-L 240kA,
N-G 240kA

ZoneMaster All-Mode 340

L-N 170kA, L-G 170kA, L-L 340kA,
N-G 170kA

ZoneMaster All-Mode 400

L-N 200kA, L-G 200kA, L-L 400kA,
N-G 200kA

Duty cycle performance (8/20µs)

100,000A	>4 impulses
10,000A	>8,000 impulses
170A	infinite

Impulse current for class I (I_{imp})

ZoneMaster All-Mode 200 25kA
(10/350µs)
ZoneMaster All-Mode 340 35kA
(10/350µs)
ZoneMaster All-Mode 400 50kA
(10/350µs)

Long duration current pulse (10/1,000µs) capability

3,600A (tested)

Ambient temperature limits

-40°F to +185°F (working)
-40°C to +85°C (working)

Humidity

95% RH (non-condensing)

Enclosure

NEMA 1, 2, 3, 3S, 4, 4X, 12 & 13 (IP66)

Terminals

2 AWG (32mm²)

Mounting

Surface mount by 0.31" (8mm) diameter holes

Indication

Continuous visual status monitoring
Green LED Lit = Full protection
Red LED Lit = Reduced (Standby) **OR**
No protection
Green LED out = No power to protector
Red & Green LED Lit = High N-G voltage

Remote contacts

NO/NC

Weight

Zonemaster All-Mode 200	10.5 lbs (4.8Kg)
Zonemaster All-Mode 240	10.5 lbs (4.8Kg)
Zonemaster All-Mode 340	12.5 lbs (5.7Kg)
Zonemaster All-Mode 400	12.5 lbs (5.7Kg)

Dimensions

Enclosure – see figure 1

EMC compliance

BS EN 60950: 1992
BS EN 61000-6-2: 1999

Optional Power filter

Limiting voltage

200V (@ 3kA 8/20µs)

Maximum attenuation (typical)

-75dB (100kHz to 100MHz)

To order specify -

Model number as per specification table

Add suffix X for EMI/RFI filter

Optional Remote Monitoring Unit

11101 – Battery operated
11102 – AC powered

Model	Maximum surge current I _{max} (kA)	Working voltage (V)	UL 2nd Edition SVR (V)	UL 3rd Edition VPR (V)	Limiting voltage		Phase types
					@ 3kA (V)	@10kA (I _n) (V)	
17200	200	120/240 split	400	700	416	528	Split phase 3-wire
17201	200	120/208	400	700	416	528	Three phase 4-wire WYE
17202	200	120/240	400/800	700/1200	416	528	Three phase 4-wire Delta
17204	200	277/480	800	1200	776	904	Three phase 4-wire WYE
17207	200	220/380	800	1200	776	904	Three phase 4-wire WYE
17208	200	240/415	800	1200	776	904	Three phase 4-wire WYE
17500	240	120/240 split	—	700	416	528	Split phase 3-wire
17501	240	120/208	—	700	416	528	Three phase 4-wire WYE
17502	240	120/240	—	700/1200	416	528	Three phase 4-wire Delta
17504	240	277/480	—	1200	776	904	Three phase 4-wire WYE
17507	240	220/380	—	1200	776	904	Three phase 4-wire WYE
17508	240	240/415	—	1200	776	904	Three phase 4-wire WYE
17300	340	120/240 split	400	600	416	528	Split phase 3-wire
17301	340	120/208	400	600	416	528	Three phase 4-wire WYE
17302	340	120/240	400/800	600/1200	416	528	Three phase 4-wire Delta
17304	340	277/480	800	1200	776	904	Three phase 4-wire WYE
17307	340	220/380	800	1200	776	904	Three phase 4-wire WYE
17308	340	240/415	800	1200	776	904	Three phase 4-wire WYE
17400	400	120/240 split	—	600	416	528	Split phase 3-wire
17401	400	120/208	—	600	416	528	Three phase 4-wire WYE
17402	400	120/240	—	600/1200	416	528	Three phase 4-wire Delta
17404	400	277/480	—	1200	776	904	Three phase 4-wire WYE
17407	400	220/380	—	1200	776	904	Three phase 4-wire WYE
17408	400	240/415	—	1200	776	904	Three phase 4-wire WYE

Tested as per ANSI/IEEE C62.45; IEC 61643-1 U_{oc} = 6kV

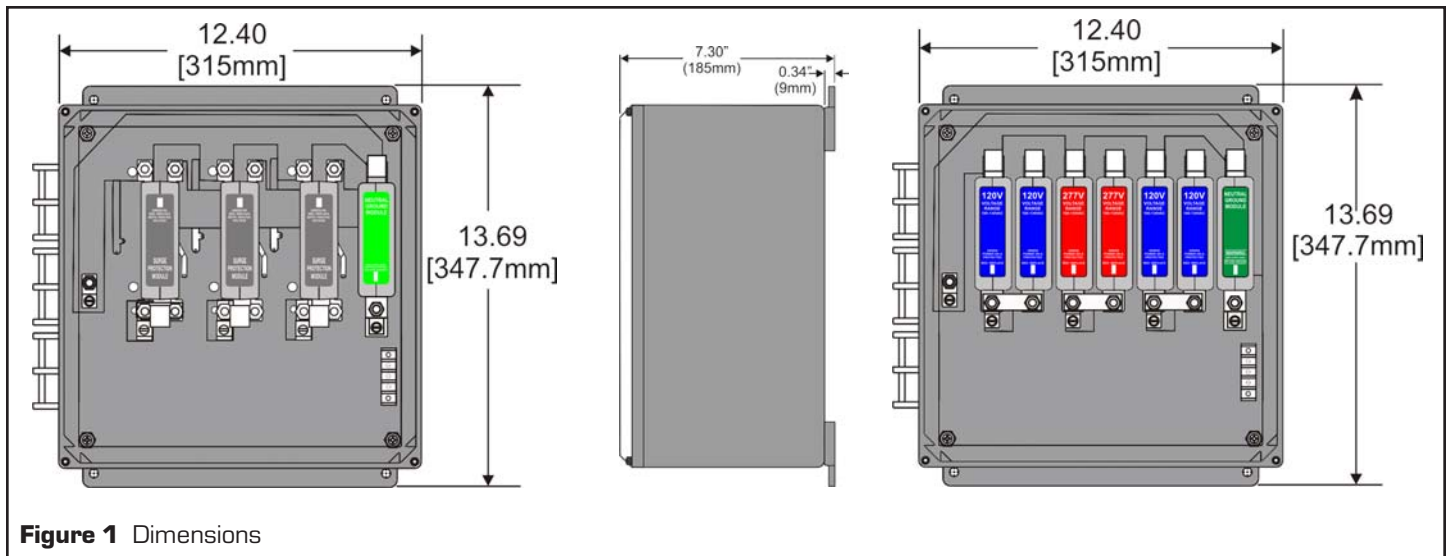


Figure 1 Dimensions

Approvals

Country	Standard/Authority	Approved for	Product
United States Canada	UL 1449 3rd Edition Listed	AC power product	ZoneMaster All-Mode

Atlantic Scientific Corporation
 4300 Fortune Place, Suite A • W. Melbourne, FL 32904
 Tel: 800-544-4737 • 321-725-8000 • 321-727-0736
 Email: sales@atlanticscientific.com
 Web: www.atlanticscientific.com

All figures typical at 77°F [25°C] unless otherwise stated

