

## ZoneDefender Pro Series

Quality surge protection for a wide variety of industrial, institutional and commercial electrical panel applications. The impressive range of models available make the feature-rich ZoneDefender Pro ideally suited for any application where high quality, non-modular protection solutions are desired.

### Features

- **80kA to 240kA surge current rating per phase**
- **Includes high-performance EMI/RFI filtering**
- **LED status indication via solid state diagnostics plus remote indication contacts**
- **Built-in audible alarm**



- **Thermal and short circuit fusing**
- **Short circuit rating: 200k AIC**
- **UL 1449 3rd Edition Listed**
- **10 year warranty**

### Specifications

#### Maximum surge current (I<sub>max</sub>)

80kA/100kA/120kA (8/20μs)  
160kA/200kA/240kA (8/20μs)

#### Maximum continuous operating voltage

120/240 versions 140Vac  
120/208 versions 140Vac  
277/480 versions 320Vac  
220/380 versions 300Vac  
240/415 versions 300Vac

#### Lines protected AC

L-N, L-G, L-L, N-G

#### Duty cycle performance (8/20μs)

Rated 1 impulse  
10,000A >6,500 Impulses  
100A infinite

#### Long duration current pulse (10/1,000μs) capability

3,600A (tested)

#### Ambient temperature limits

-40°F to +185°F - working  
-40°C to +85°C - working

#### Humidity

95% RH (non-condensing)

#### Enclosure

NEMA 1, 2, 12 and 13 (IP60)

#### Terminals

#10 AWG (5mm<sup>2</sup>) & #8 AWG (8mm<sup>2</sup>)

#### Mounting

Surface mount by 0.21" (5mm) diameter holes

#### Remote contacts

Form C (NC, NO, C) 60W DC,  
120VA AC, 3A max.

#### Indication

Green LED on } Power protection in all modes,  
Red LED off } all phases

Green LED off } Protection fault (remote  
Red LED on } indication alarm via contacts &  
audible alarm)

Green LED on } Neutral/ground fault (voltage  
Red LED on } potential)

#### Audible Alarm

90dB

#### EMI/RFI Attenuation

-75dB maximum 100kHz to 100MHz

#### Weight

From 5.2 lbs (2.34Kg )

#### Dimensions

9.30" x 3.00" x 4.93"  
(236mm x 76mm x 125mm)

#### SCCR Rating

Suitable for use on a circuit capable of delivering not more than 200,000 rms symmetrical Amperes, 480V max

#### EMC compliance

BS EN 60950: 1992  
BS EN 61000-6-2: 1999

#### Ratings in compliance with IEC 61643-1

I<sub>max</sub> = 80kA, 100kA, 120kA  
I<sub>imp</sub> = 6kA (10/350)\*  
I<sub>max</sub> = 160kA, 200kA, 240kA  
I<sub>imp</sub> = 10kA (10/350)\*  
\*All current results are per phase.

#### Options

NEMA 3, 3R, 4, 4X (IP66) outdoor enclosure Add suffix "-O"

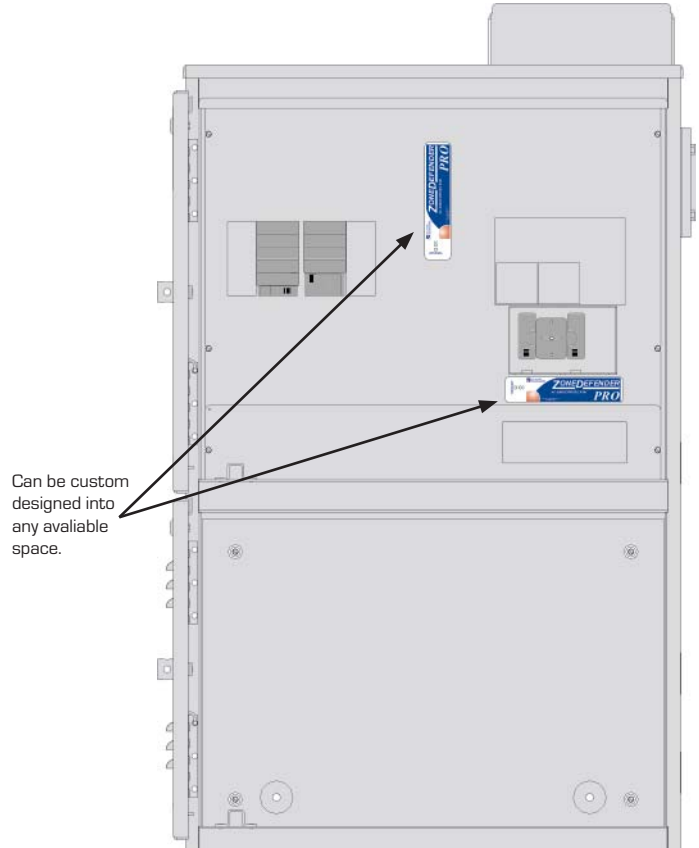
Flush Mount Bracket (see figure 2)  
Order #16000

# Small size makes integration into custom equipment a breeze.

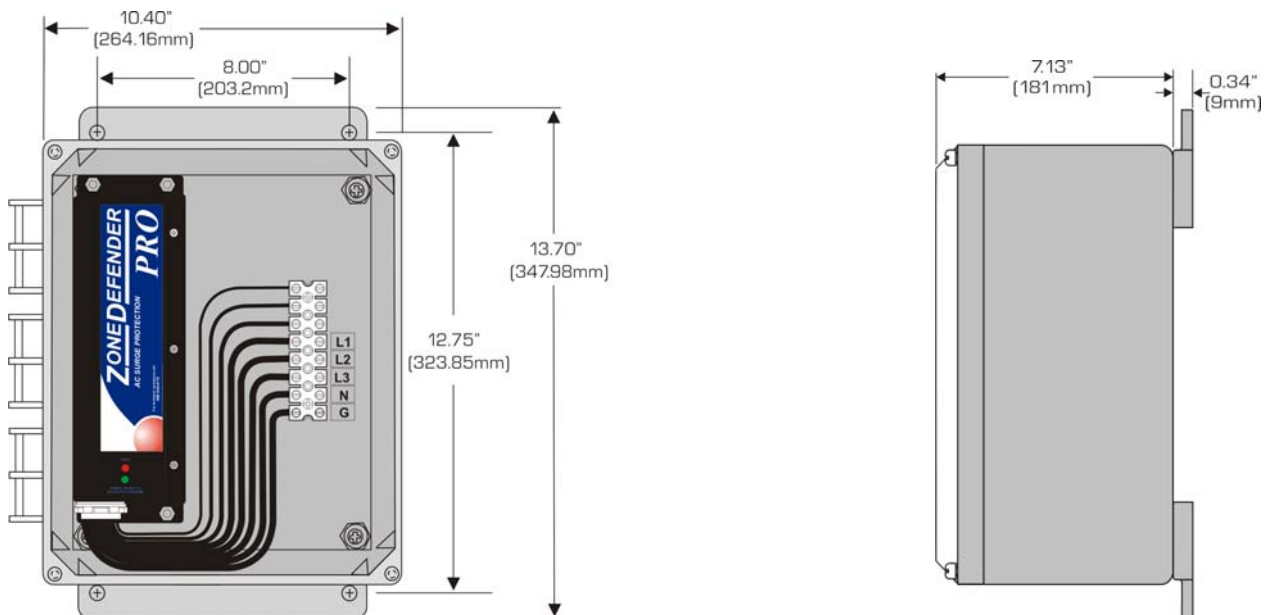
ZoneDefender PRO saves money by facilitating smaller AC power cabinets. Once the ZoneDefender Pro has been engineered in, there is no re-engineering needed to meet customers changing surge capacity requirements.

Great for:

- ◆ Telecom power distribution cabinets
- ◆ Industrial control panels
- ◆ Motor drive panels
- ◆ Automatic transfer switch
- ◆ Facility distribution panels



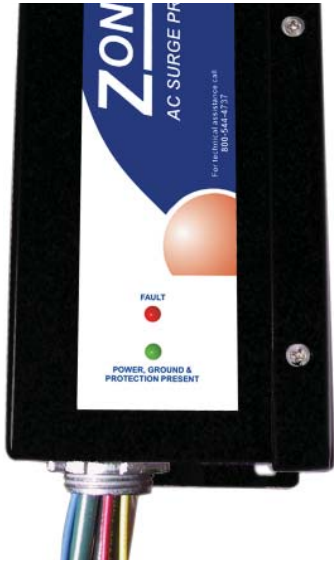
## Optional Outdoor Enclosure



- ◆ NEMA 3, 3R, 4, 4X (IP66) rated

To order: Add suffix "- O"

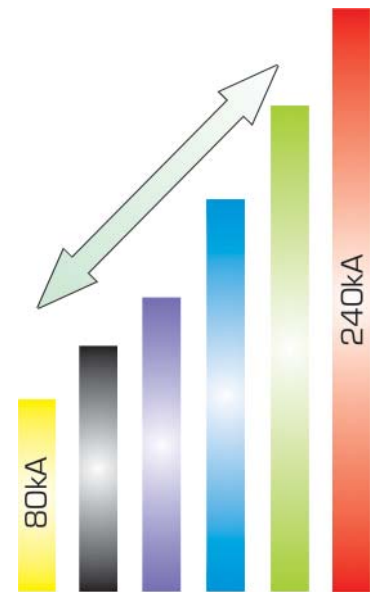
# Advanced indication and monitoring



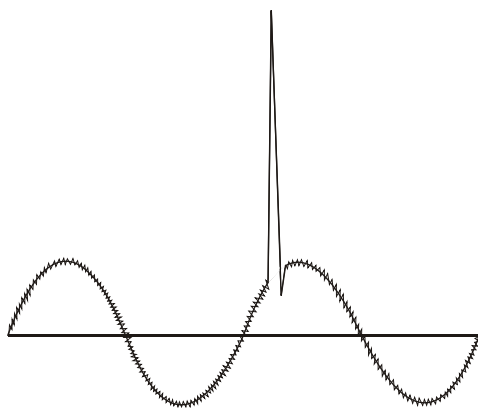
- Red LED = Fault warning  
Advanced circuitry monitors **every** suppression component in the ZoneDefender PRO.
- Green LED = Protection operational and ground present  
Assures user that full protection is present. Advanced circuitry continuously monitors the presence of a ground connection.
- 🔊 Any fault in the unit triggers an audible alarm. Great for units hidden from view.
- 🔌 Normally open, normally closed, voltage free contacts are a standard feature on all ZoneDefender PROs.

## Powerful surge protection

- ◆ Surge capacity options to cover every requirement **and budget**.
- ◆ An unmatched range of surge current capacities available in the same compact package.
- ◆ The same small footprint (9.3" x 3.0") for all six (6) surge capacity types.



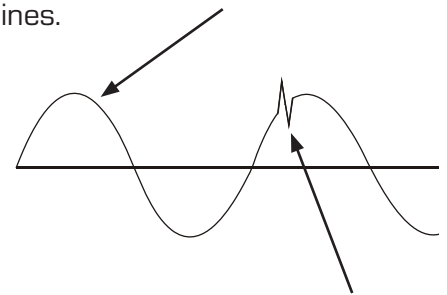
## Precise power protection



**Before** ZoneDefender PRO



High performance EMI/RFI Filter attenuates noise on AC power lines.



State-of-the-art surge protection reduces transient voltages to harmless levels.

**After** ZoneDefender PRO

