

UP1100

Customer configurable, future-proof communication protection surge protection



- **Complete surge protection for PCs, LANs, POS Systems, Home Theatres and other sensitive electronic equipment**
- **Easy slide-in communication modules allow for mixing and matching of protections for Fax/modem, Internet, LAN and cable TV applications**
- **Connected equipment warranty and lifetime product warranty**
- **UL 1449 Listed and CSA approved**



The UP1100 provides the ultimate configurable protection platform through the unique patented design of eleven high performance outlets with four power pack positions plus two easy slide-in data protection bays.

The UP1100 is designed to handle maximum surge currents greater than 50kA on PCs, fax machines, entertainment equipment, digital TVs, VCRs, DVDs, cable modems and digital satellite systems.

Communication modules simply slide-in to the UP1100 protection bays and any combination of two can be installed in the UP1100 at any time providing complete upgradeable protection for all sensitive electronic equipment. Protection modules are available for telephone lines, net-

works, cable/digital satellite, Lease Line, RS232, 4-wire dial-up, ADSL, DDS, T-1, and VoIP applications.

Additional features of the UP1100 include a toggle on/off switch and a power fault indicator (which indicates correct wiring when lit). The protection status indicator assures that the device is working properly. Seven outlets are conveniently located on one side to provide superior cable management while four outlets on the top of the unit provide plenty of room for power packs. The unit can be attractively mounted on a wall or desk or neatly placed on the floor.

The UP1100 'Lifetime Warranty' guarantees that each UP1100

product and modules are free from defects in material and workmanship under normal use and in accordance with the instructions provided. In addition, hardware coverage is limited to repair or replacement cost of properly connected equipment per occurrence up to a limit of \$25,000.

AC Power Protection

Specification

All figures typical at 77°F (25°C) unless otherwise stated

Maximum surge current

>50kA

Load current

15 Amps

Working voltage

125V

Let-through voltage

<50V

UL 1449 rating

400 volts between ALL lines (LN, LG, N-G)

Joule rating

490 joules

Maximum power

1900VA

EMI/RMI noise reduction

(50 W system) 45-70dB

Response time

Instantaneous

Power cord

6' (1.55m)

Dimensions

See figure 1

Model	Type	Outlets	Maximum surge current (kA)	Working voltage (V)	Let-through voltage (V)
35314	AC power strip	11	>50	120	<50

Protection modules

Self-grounding communication modules to customize your surge protection device

Model	Module part #	Type	Maximum surge current (kA)	Working voltage (V)	Let-through voltage (V)	Bandwidth	Connectors
TEL	24204	2-wire dial-up	1	190	<300	N/A	RJ11
LAN	24205	10/100Base-T	1	5	10	155	RJ45
CATV	24203	F-type coaxial	1	30	45	2GHz	F-type coaxial
4-wire	24207	4-wire dial-up/ADSL	1	190	<298	N/A	RJ11
RS232	24208	8-wire	1	18	27	0.5	RJ45
Lease Line	24209	4-wire	1	50	105	N/A	RJ11
DDS	24210	4-wire	1	50	105	10	RJ48C
T-1	24211	4-wire	1	18	27	50	RJ48C
VoIP	24213	Voice over IP	1	30	45	N/A	RJ45

Protection modules are sold separately

Modules may vary in color

Protection modules (sold separately) as per the part numbers listed in the specification table above.

Note: In accordance with our policy of continuous improvement, we reserve the right to change the product's specification without notice.

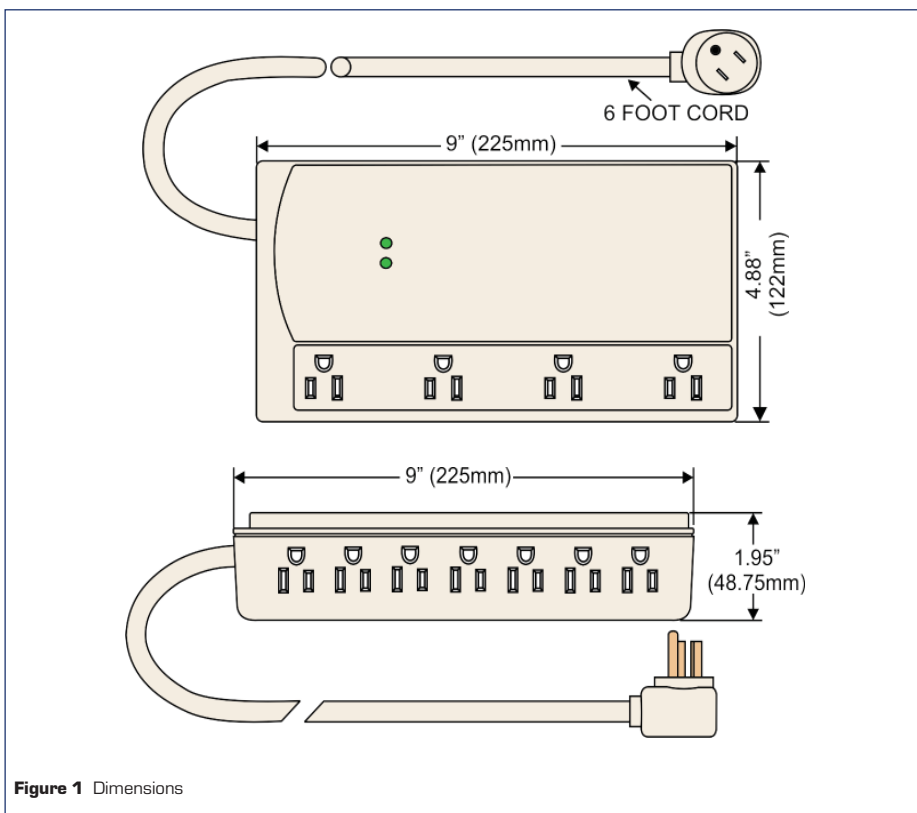


Figure 1 Dimensions

Note: In accordance with our policy of continuous improvement, we reserve the right to change the product's specification without notice.

Approvals

Country	Standard/Authority	Approved for	Product
United States	UL 1449 Listed	AC power product	35314
Canada	CSA Certified		35314

Atlantic Scientific Corporation

4300 Fortune Place, Suite A • W. Melbourne, FL 32904

Tel: 800-544-4737 • 321-725-8000 • 321-727-0736

Email: sales@atlanticscientific.com

Web: www.atlanticscientific.com

A member of the MTL Instruments Group plc



903-101 Rev D 2/15/08